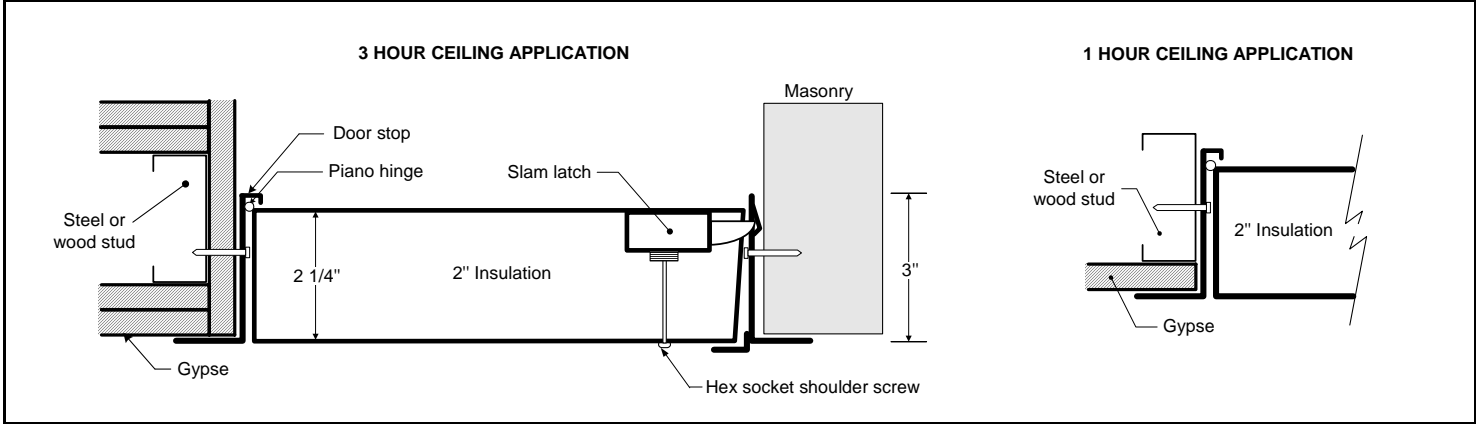


# TECHNICAL DATA SHEET

# SPYCOR.com

## PFU ACCESS DOOR FIRE RATED INSULATED UPWARD OPENING

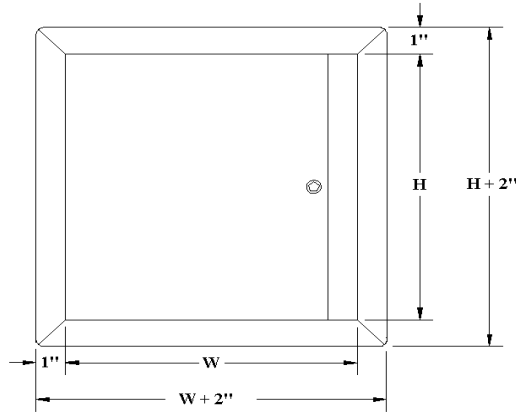
### INSTALLATION (CEILING ONLY)



### DIMENSION AND APPEARANCE

DOOR SIZE W x H (IN)	CEILING OPENING (IN)	NUMBER OF LOCKS	SHIP WEIGHT	
			(LBS)	(KG)
22 x 30	22 3/8 x 30 1/4	1	44	20
22 x 36	22 3/8 x 36 1/4	2	50.5	23
24 x 24	24 3/8 x 24 1/4	1	37.5	17

(Clear opening with door opened =  $W - 3\ 1/2''$ )



### DESCRIPTION AND MATERIAL SPECIFICATION

**Fire Rating :** 2 hour fire barrier, 1 1/2 hour B label, maximum temperature rise after 30 minutes 250° F (139° C) after 60 minutes 450° F (250° C) *Warnock Hersey* file #: L-14031 for ceiling one (1) hour combustible rating and three (3) hour non-combustible rating in conformity with the following codes: UBC 43-7 for ceiling installation MEA# 507-06-M

**Material :** 16 gauge steel frame and 20 gauge satin coated steel door

**Insulation :** mineral wool  
**Hinge :** continuous piano hinge allows opening to 89°  
**Lock / latch :** self latching ring operated latch inside and Allen key operated outside  
**Finish :** *Sherwin-Williams* high quality grey powder coat primer  
**Packaging :** wrapped individually in a box  
**Options:**  
**Material :** stainless steel 304 #4 (brushed finish)

**CENDREX PARTNERS**

### PROJECT DATA

Project name :	Qty	W	H	# of locks	Finish
Architect :					
Dealer :					
Contractor :					
Location :					
Date :	Special instructions :				
Tagging Instructions :					

**CORPORATE OFFICE:** 303 Baker Road, Ambler, PA 19002  
**Tel:** 877-293-0784 **Fax:** 215-933-3952 **Info:** Info@Spycor.com

**WAREHOUSES IN:** NEW YORK --- PHILADELPHIA --- CHICAGO --- DALLAS

TO GET YOUR ODD SIZES FASTER!