

DELTA[®]-DRY

Ventilated Rainscreen for Residential & Commercial Construction. Installation Instructions for use over a Water-Resistive Barrier (WRB).

Local Building Codes may require two layers of WRB behind absorptive claddings such as plaster or manufactured stone veneer applied over wood-based sheathing. Where two layers of WRB are required, the first layer should be applied according to manufacturer's recommended procedures directly over the wood-based sheathing to the interior side of DELTA[®]-DRY. The second layer should be applied on the exterior side of DELTA[®]-DRY.

Window, door and other openings should be properly flashed and integrated into the WRB in accordance with ASTM E-2112-07 or AAMA 2400-02.

Always confirm what is required by local building code and follow those requirements.

Health and Safety:

- Required safety equipment: hard hat, safety boots, gloves, safety glasses, fall arrest equipment.
- Always follow all safety precautions as directed by the Occupational Safety and Health Administration (OSHA-USA) or the Construction Safety Association (Canada).
- Please refer to Material Safety Data Sheets for all components and observe all recommended safety precautions therein.
- The general codes of practice for protection at work and instructions of the manufacturers for tools and components are to be observed at all times.

Recommended Tools:

- Utility knife or scissors
- Measuring tape
- Optional fastening equipment:
 - Pneumatic nail gun
 - Recommended fastener: 1"-1 ¼" corrosion-resistant coil roofing nails
 - Hammer
 - Recommended fastener: 1"-1 ¼" corrosion-resistant roofing nails
 - Cordless drill
 - Recommended fastener: 1"-1 ¼" corrosion-resistant screws

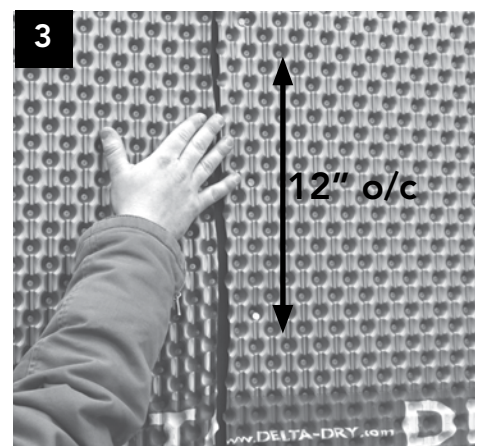
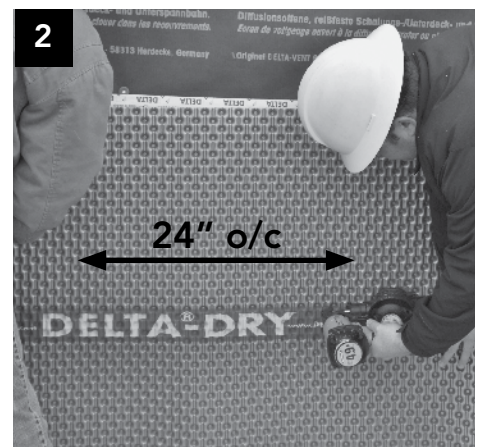
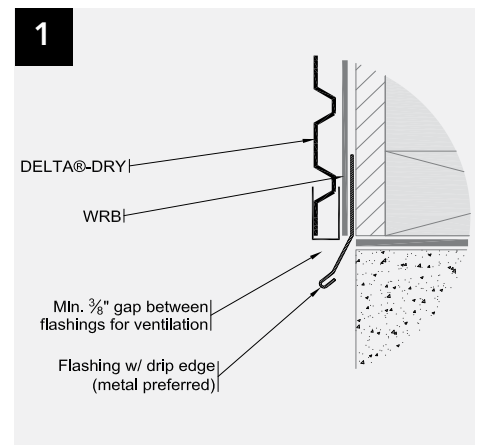
Getting Down to Installation:

Bottom of Wall

- For claddings on walls such as adhered manufactured stone veneer, plaster (stucco), cement board and vinyl cladding, install flashing with drip edge at bottom of wall, covering transition from exterior sheathing board (e.g. OSB) to foundation wall. Ensure that approved WRB terminates shingle-fashion over top of this flashing with drip edge.
- For other claddings, contact the Cosella-Dörken Technical Support Team or your local Cosella-Dörken representative.

Application

- For ease of installation, work with two people.
- Cover the entire wall with DELTA[®]-DRY wherever wall cladding is to be installed.
- Always unroll DELTA[®]-DRY in a horizontal direction. Make sure the blue stripe faces



the installer and runs horizontally. At the bottom of the wall, start the DELTA®-DRY a minimum 3/8" above the angled edge of the flashing with drip edge for proper ventilation. (See detail 1)

- Proper ventilation at top and bottom of the wall is VERY IMPORTANT for system performance.
- As one person holds DELTA®-DRY, the other installs the fasteners. Begin fastening DELTA®-DRY in the middle at the blue stripe. Fasten DELTA®-DRY approximately every 24" (60 cm) horizontally along the blue stripe. (See detail 2)

Side Laps and End Laps

- Side laps and end laps shall be placed tightly to the adjacent roll. Do not overlap or interlock DELTA®-DRY. (See detail 3 & detail 4)
- At side laps, fasten DELTA®-DRY approximately every 12" (30 cm) horizontally.
- At end laps, fasten DELTA®-DRY approximately every 12" (30 cm) vertically.

Installing Around Corners

- Install DELTA®-DRY on inside corners as tightly as possible by pushing the membrane into the corner, then anchor in place with fasteners in the body. (See detail 5)
- Install DELTA®-DRY on outside corners as tightly as possible by pressing the membrane around the corner, then anchor in place with fasteners in the body. (See detail 6)

Penetrations (e.g. windows, doors, pipes, etc.)

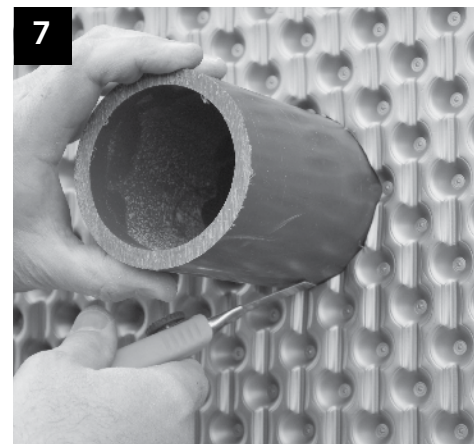
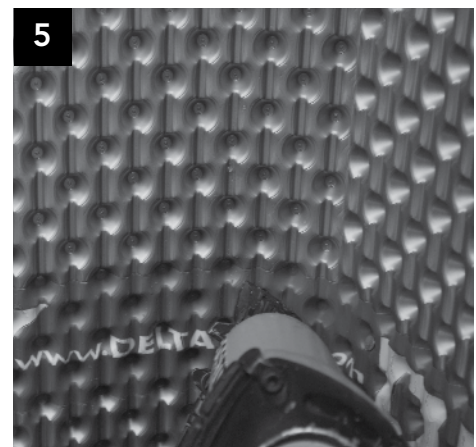
- Cut DELTA®-DRY as tightly as possible around window, door, pipe, and other openings. (See detail 7)
- For the top of all windows and doors, install the DELTA®-DRY shingle-fashion over the flashing with drip edge, leaving a minimum gap of 3/8" (10 mm) for proper ventilation and drainage. (See detail 8)
- For the bottom of windows and doors wider than 6 ft (1.8 m), ventilation is required. DELTA®-DRY must be terminated with a minimum of 3/8" (10 mm) ventilation gap under the window or door opening (See detail 9). For windows and doors less than 6' (1.8 m) wide, no ventilation gap is required at the bottom.

Top of Wall

- At the top of walls, install wood blocking, cut to fit on site, leaving a minimum 3/8" (10 mm) gap between top edge of cladding and blocking. Ensure that the continuity of the approved WRB is maintained behind the wood blocking. (See detail 10)
- To maintain proper ventilation, the wood blocking shall extend beyond the top edge of the cladding by at least 3/8" (10 mm).
- To protect the 3/8" (10 mm) air gap from wind-driven rain, fasten molding piece to the wood blocking. Ensure that it overlaps the cladding by a minimum of 2" (5 cm), depending on local wind conditions.* (See detail 10).

Buildings Over Two Stories High

- On buildings over two stories high, a horizontal ventilation detail must be installed every two stories. (See detail 11)
- In climate zone 4C (Marine), a horizontal ventilation detail must be installed every story.



Bug Screens

- Optional bug screens may be installed at all ventilation details of DELTA®-DRY. (See detail 11)
- Install wall cladding as soon as possible and no later than 30 days after installing DELTA®-DRY. Ensure wall cladding is installed according to manufacturer's recommended procedures. Select cladding fasteners to allow for the additional thickness of DELTA®-DRY.

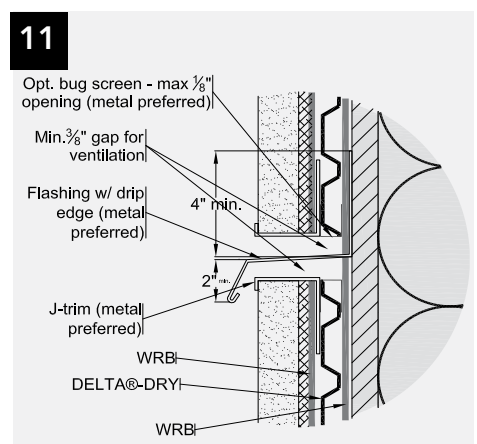
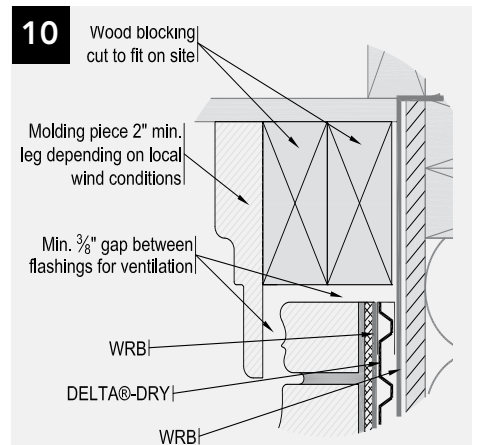
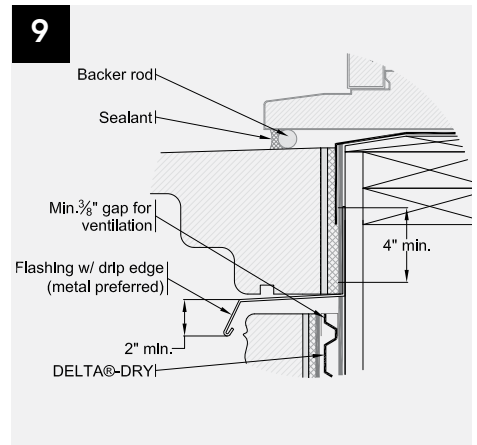
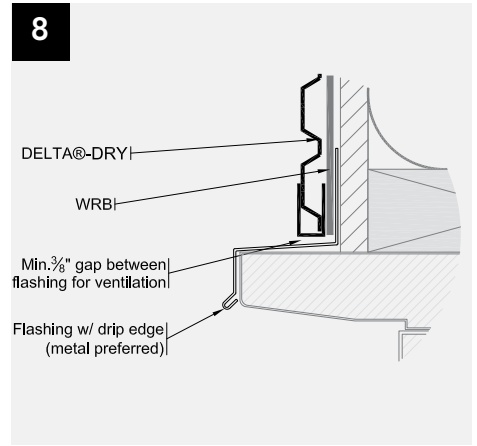
Disposal of Waste:

- DELTA®-DRY is made from environmentally friendly HDPE.
- Waste can be recycled where facilities allow.

For technical support, call our technical support team at 1-888-4DELTA4 (1-888-433-5824) extension 326.

* For areas with wind speeds greater than 60 mph (96 km/h), the leg of the vertical molding piece may need to be longer than 2" (5 cm).

For more detailed information, please consult www.cosella-dorcken.com or call our technical support team.



COSELLA DÖRKEN
 Cosella-Dörken Products Inc.
 4655 Delta Way
 Beamsville, Ontario
 L0R 1B4
 (905) 563-3255
 Fax: (905) 563-5582
 1-888-4 DELTA 4
 info@cosella-dorcken.com
 www.delta-dry.com

A company of the Dörken Group

The information printed in this brochure reflects product information and specifications at the date of printing. The manufacturer reserves the right to make changes when necessary. All rights reserved.



Canadian Home Builders' Association

DELTA®-branded quality products
 manufactured by Cosella-Dörken.