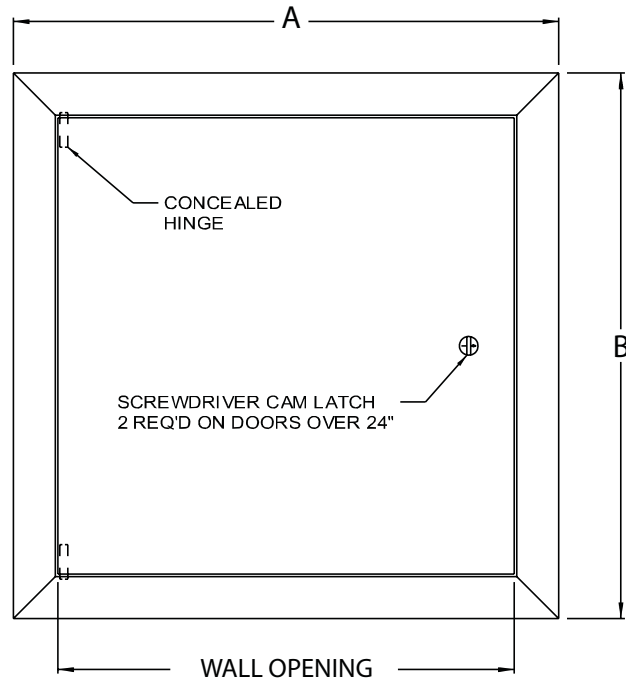


DETAIL & SUBMITTAL SHEET

WALLS & CEILINGS



FRONT ELEVATION



This lightweight, insulated, all aluminum access door is ideal for exterior applications, and also those specific interior applications where corrosion or moisture is a concern. Access to large openings in walls and ceilings is made easy. The aluminum door panel is lined with 3/4" polystyrene insulation.

SPECIFICATIONS:

Material: Aluminum .045 door and surround trim

Door: Flush to edge of frame

Frame: 1 5/16" mitered aluminum extrusion flange with 1-1/2" deep mounting frame

Hinge: Concealed continuous piano type

Insulation: 3/4" polystyrene insulation, with 3.8 R-Value at 75° F mean temperature

Gasketing: (if required) 1/8" X 3/8" closed cell neoprene gasketing

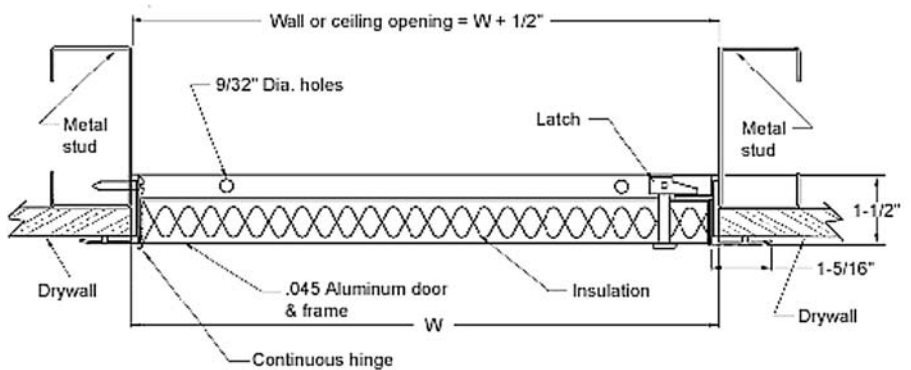
Latch: Screwdriver operated Spanner Head cam latch

Finish: Mill finish

OPTIONS: (AT EXTRA COST)

- Long lock from Wind Lock
- 1/8" X 3/8" closed cell neoprene gasketing on all 4 sides
- Special sizes available

SECTION DETAIL



✓	Item No.	A B Door Size	Wall Opening	Slam Catch	Ship Wt. Lbs.
	AL 4000	8 x 8	8 1/2 x 8 1/2	1	2
	AL 4000	10 x 10	10 1/2 x 10 1/2	1	3
	AL 4000	12 x 12	12 1/2 x 12 1/2	1	4
	AL 4000	14 x 14	14 1/2 x 14 1/2	1	5
	AL 4000	16 x 16	16 1/2 x 16 1/2	1	6
	AL 4000	18 x 18	18 1/2 x 18 1/2	1	7
	AL 4000	24 x 24	24 1/2 x 24 1/2	1	9
	AL 4000	24 x 36	24 1/2 x 36 1/2	1	12
	AL 4000	24 x 48	24 1/2 x 48 1/2	2	16
	AL 4000	30 x 30	30 1/2 x 30 1/2	2	12
	AL 4000	36 x 36	36 1/2 x 36 1/2	2	16
	AL 4000	36 x 48	36 1/2 x 48 1/2	2	21
	AL 4000	48 x 48	48 1/2 x 48 1/2	4	27
	AL 4000	60 x 48	60 1/2 x 48 1/2	4	34
	AL 4000	72 x 48	72 1/2 x 48 1/2	4	40

Project: _____ Date: _____

Contractor: _____ Architect: _____

Sizes: _____ Quantity: _____ Approval Initials: _____

 Phone: 1-800-255-5515 • Fax: 1-800-822-5001
www.wbdoors.com